



END USER INSTRUCTIONS - READ BEFORE USE

PRODUCT NAME:

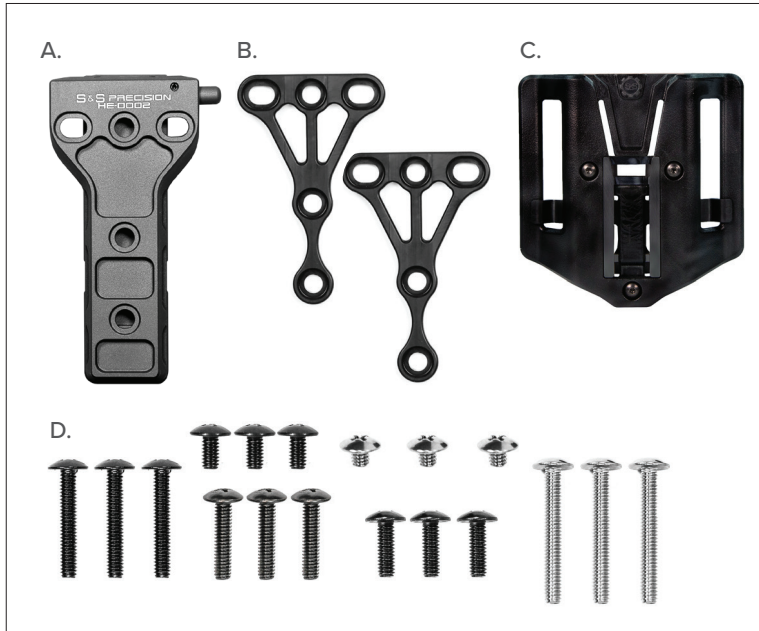
Holster Extender™

WITH GRT™ REINFORCED BELT ADAPTER

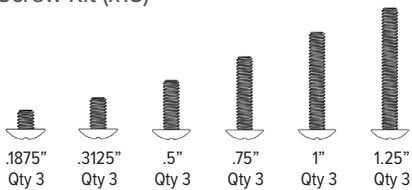
PART NUMBER:

HE-0002XX

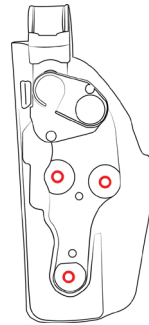
PACKAGE INCLUDES:



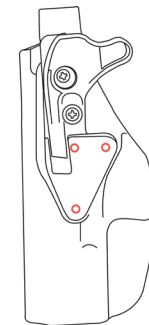
- A. Holster Extender
- B. Spacer (x2)
- C. GRT™ Reinforced Belt Adapter
- D. Screw Kit (x18)



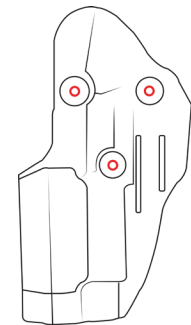
COMPATIBLE WITH THESE HOLSTERS



Safariland®

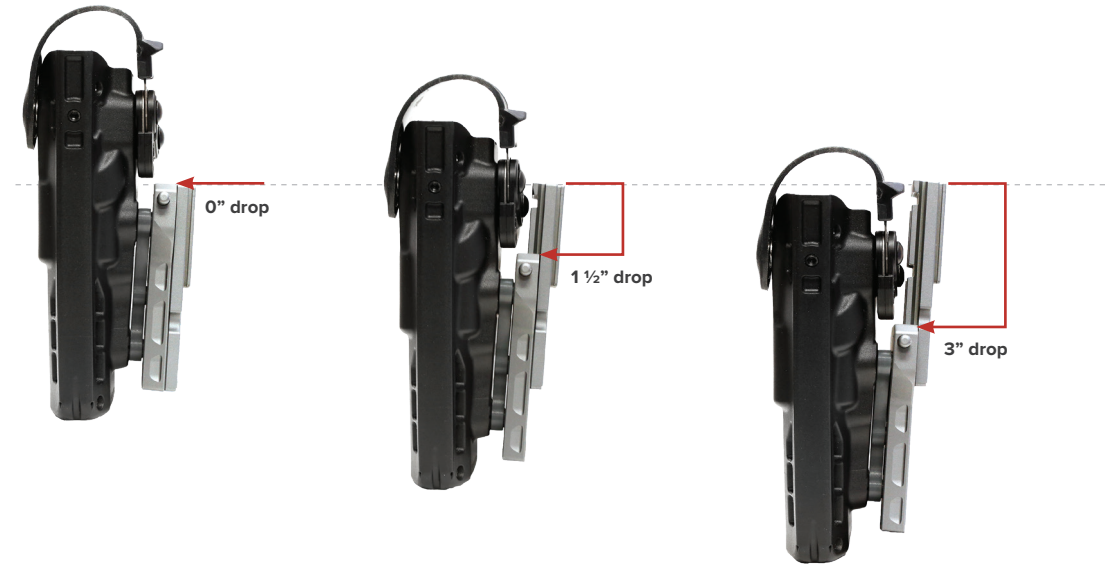


G-Code



Blackhawk!®

3 SET DROP POSITIONS (Shown on Safariland® holster)





END USER INSTRUCTIONS - READ BEFORE USE

PRODUCT NAME:

Holster Extender™

WITH GRT™ REINFORCED BELT ADAPTER

PART NUMBER:

HE-0002XX

ASSEMBLY (Shown on Safariland® holster)



1

Align the Holster Extender with the hole pattern of your holster.

Remove existing screws.



2

Spacers have been provided to clear any mechanism interferences.

Slide Holster Extender up to align openings for screws.



3

Attach the Holster Extender to the holster using the provided screw kit.



4

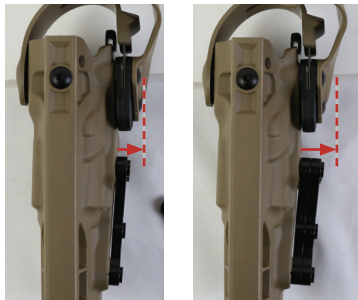
Test for functionality by pressing the button on the Holster Extender and sliding the up and down.



5

Equip holster by sliding the provided GRT™ Reinforced Belt Adapter (or Webbing Adapter) onto the assembled Holster Extender.

Push button on side of extender to set drop position.



ONE SPACER WIDTH

TWO SPACER WIDTH